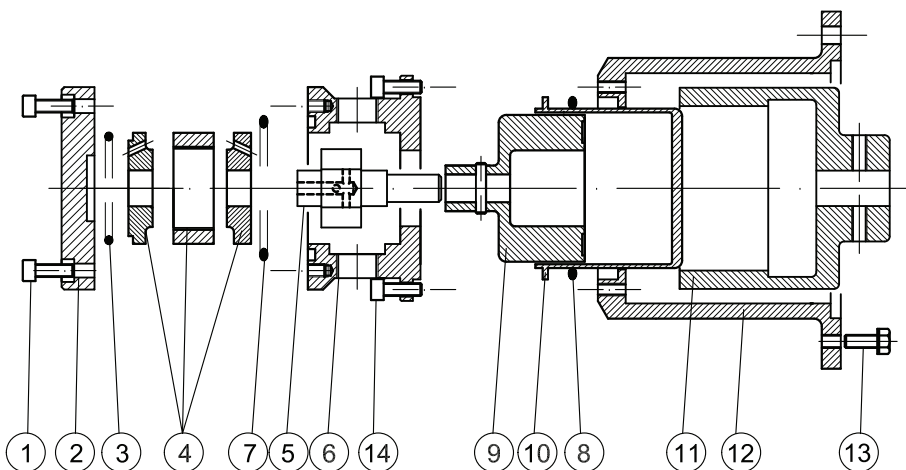


FEATURES/CARATTERISTICHE

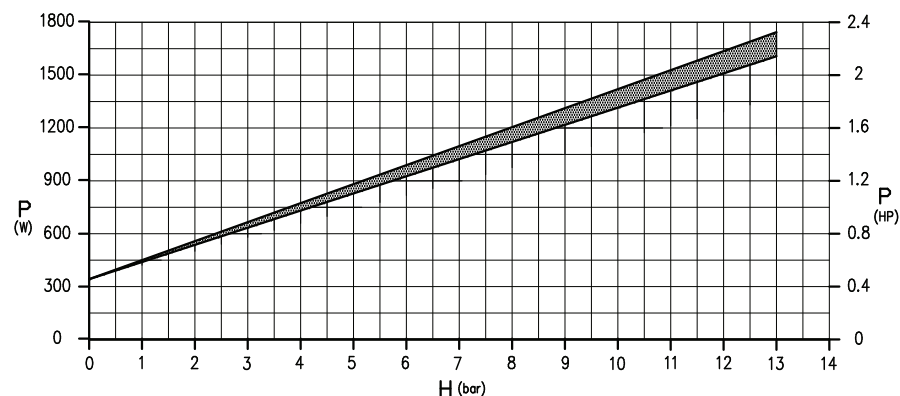
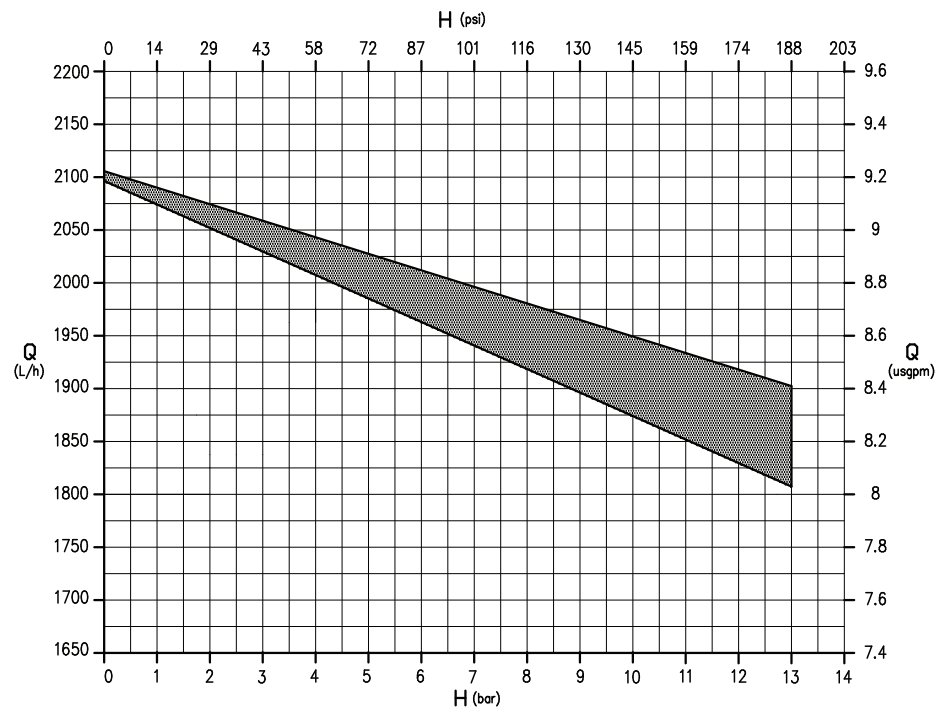
Materials available/Materiali disponibili:	AISI 316
Max flow/Portata massima:	2100 L/h
Max head/Prevalenza massima:	13 bar
Max temperature/Temperatura massima:	150 °C
Max viscosity/Viscosità massima:	2000 cPs
Pressure rating/Pressione nominale massima:	NP/PN 25

SECTION AND PARTS LIST/SEZIONE E LISTA PARTI



POS.	1	2	3	4	5	6	7	8	9	10	11	12	13	14
PART DESCR.	SET SCREWS	END COVER	O-RING	FLANGES STATOR VANES+PINS	ROTOR SHAFT	PUMP BODY	O-RING	O-RING	INTERNAL MAGNET	REAR CASING	EXTERNAL MAGNET	BRACKET	SET SCREWS	SET SCREWS
MAT.	AISI304	AISI316	EPDM VITON	GRAPHITE	AISI316	AISI316	EPDM VITON	EPDM VITON	AISI316	AISI316	C40+NdFeb	ALUMINIUM	AISI304	AISI304

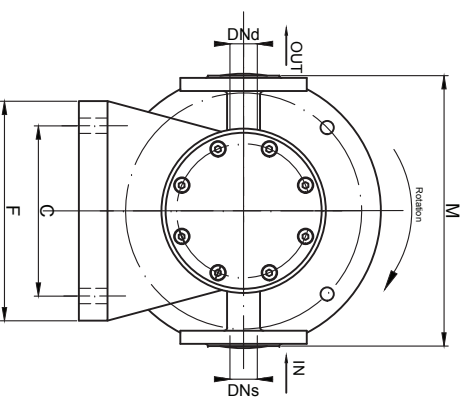
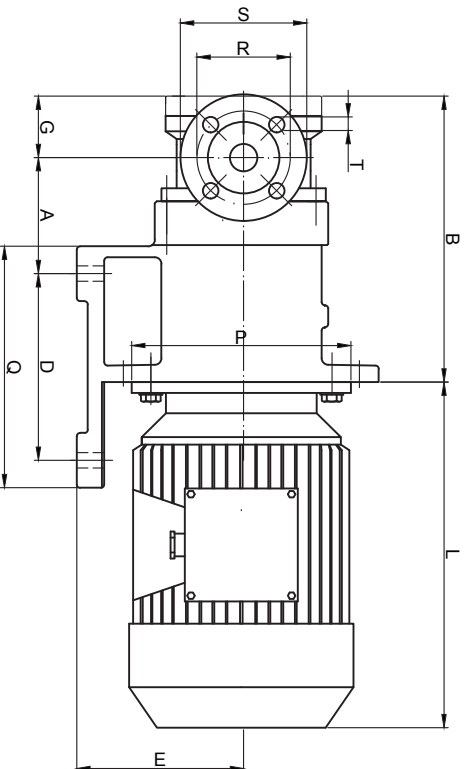
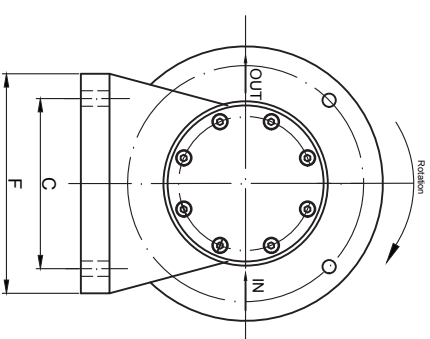
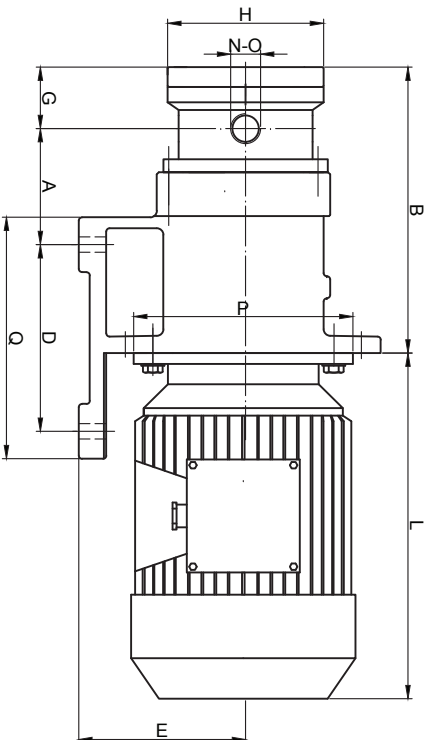
CURVES/CURVE 50HZ-1450 RPM



All data stated are an indication and are liable to change without notice / Tutti i dati sono indicativi e possono variare senza preavviso

HTP 3° RANGE SIZE 1500-2000

DIMENSIONS/ DIMENSIONI D'INGOMBRO



PUMP TYPE	FLANGES DIMENSIONS - mm -				
	R	S	T	DNS	DND
HTP 3° RANGE	85	115	14	25	25
					DN25 PN25

PUMP TYPE	MOTOR B5 4P	DIMENSIONS - mm -														
		SIZE	KW	A	B	C	D	E	F	G	H	~ L	M	N	O	P
HTP 3° RANGE	100L	1.5	106	260	155	170	150	200	56	142	280	246	3/4" G.	3/4" G.	200	220
		2.2	106	280	155	170	150	200	56	142	316	246	3/4" G.	3/4" G.	250	220
		3	106	280	155	170	150	200	56	142	334	246	3/4" G.	3/4" G.	250	220
	112M	4	106	280	155	170	150	200	56	142	334	246	3/4" G.	3/4" G.	250	220

9414-1

GEMMECOTTI S.r.l. - Via A. Volta, 85/A - 20816 Ceriano Laghetto (MB) ITALY

Tel. +39 02 9646.0406 Fax +39 02 9646.9114 - www.gemmecotti.com info@gemmecotti.com