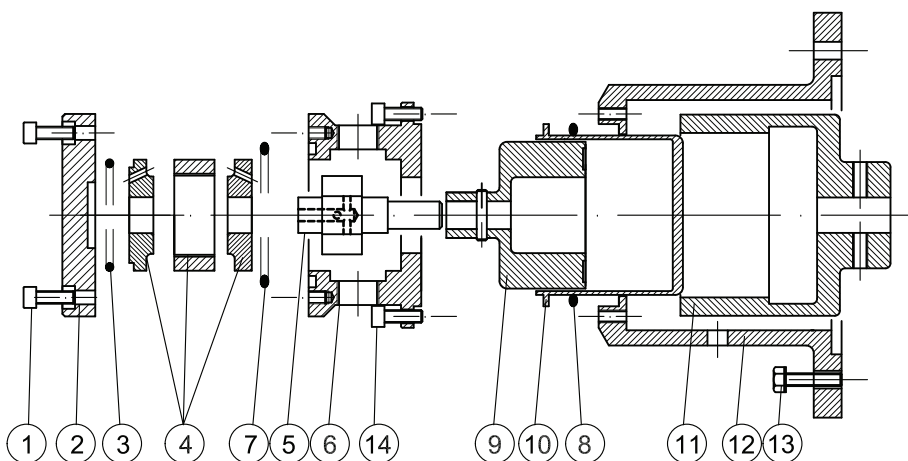


FEATURES/CARATTERISTICHE

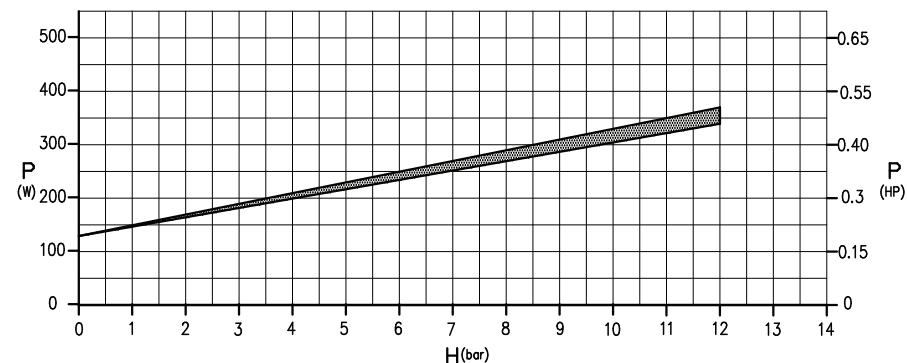
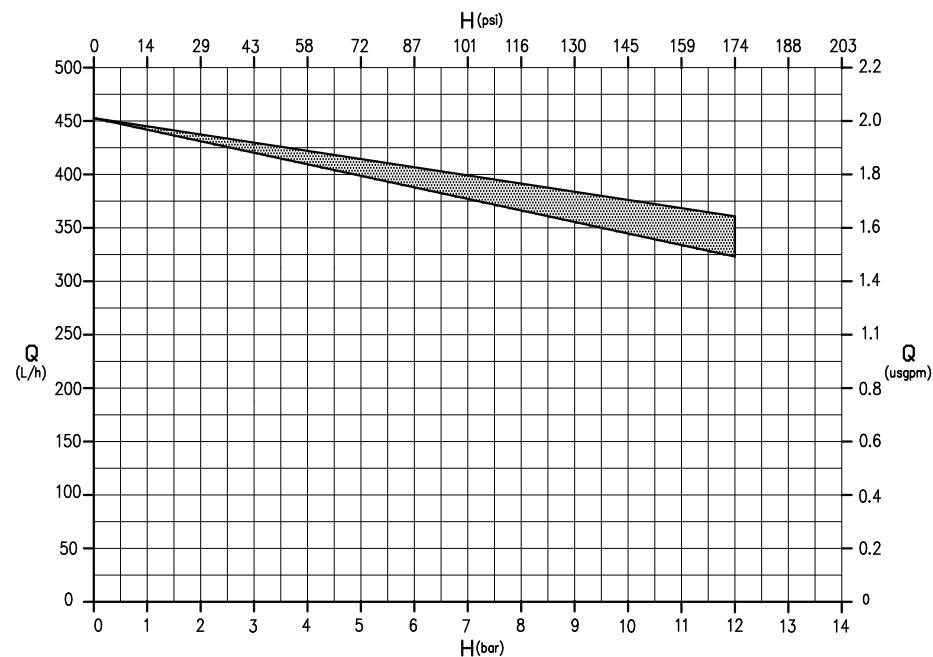
Materials available/Materiali disponibili:	AISI 316
Max flow/Portata massima:	450 L/h
Max head/Prevalenza massima:	12 bar
Max temperature/Temperatura massima:	150 °C
Max viscosity/Viscosità massima:	2000 cPs
Pressure rating/Pressione nominale massima:	NP/PN 25

SECTION AND PARTS LIST/SEZIONE E LISTA PARTI

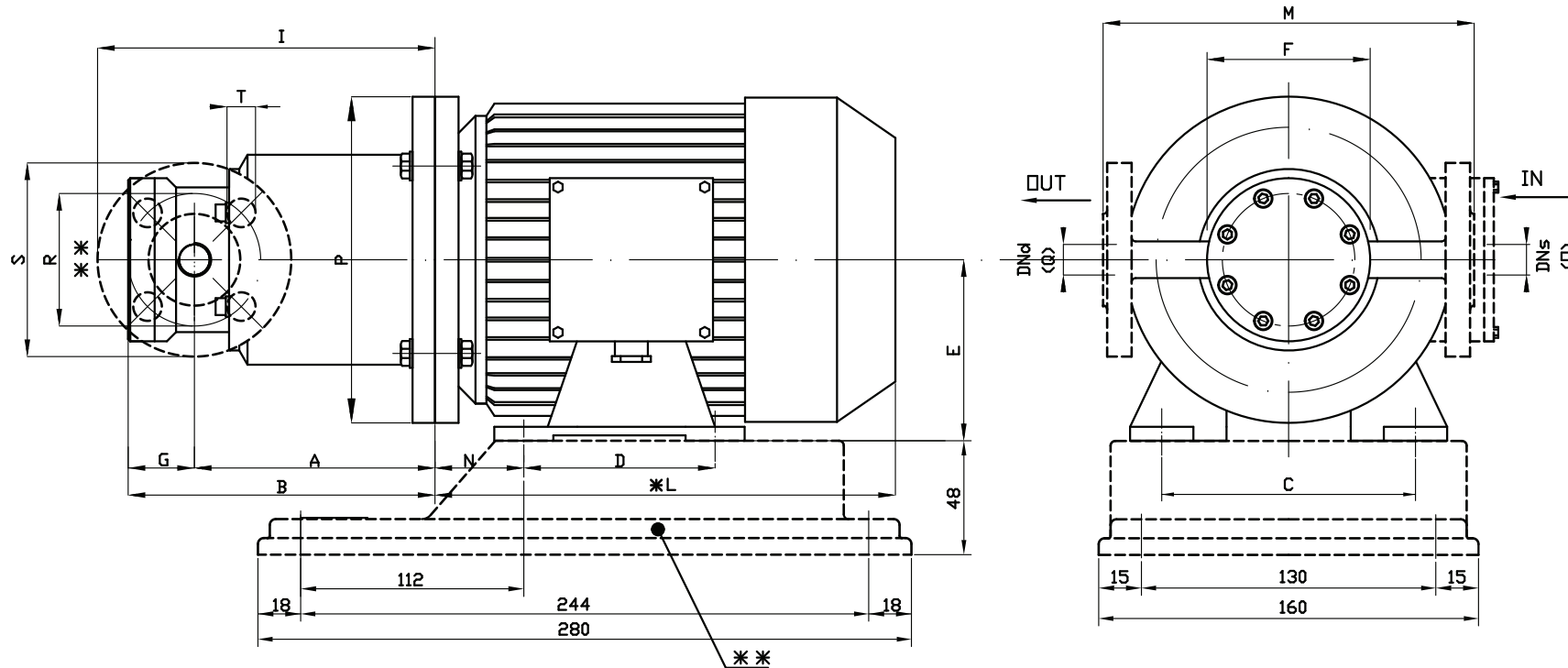


POS.	1	2	3	4	5	6	7	8	9	10	11	12	13	14
PART DESCR.	SET SCREWS	END COVER	O-RING	FLANGES STATOR VANES+PINS	ROTOR SHAFT	PUMP BODY	O-RING	O-RING	INTERNAL MAGNET	REAR CASING	EXTERNAL MAGNET	BRACKET	SET SCREWS	SET SCREWS
MAT.	AISI304	AISI316	EPDM VITON	GRAPHITE	AISI316	AISI316	EPDM VITON	EPDM VITON	AISI316	AISI316	C40+NdFeb	ALUMINIUM	AISI304	AISI304

CURVES/CURVE 50HZ-1450 RPM



DIMENSIONS/DIMENSIONI D'INGOMBRO



PUMP TYPE	MOTOR FLANGE B3-B5	POT. Kw	DIMENSIONS - mm -													** FLANGES DIMENSIONS-mm DN15 - PN 25					
			A	B	C	D	E	F	G	I	*L	M	N	(O)	P	(Q)	R	S	T	DNs	DNd
HTP 100-200-300-400 EM-P ... 1°R (ATEX)	G 71 4B	0.37	127	160	112	90	71	80	33	175	215	182	45	3/8"G.	160	3/8"G.	65	95	14	15	15

* Different according to the manufacturer / Diverso a seconda del fornitore
 ** OPTIONAL-UPON REQUEST/SU RICHIESTA: Baseplate/Piede d'appoggio - Flanges/Flange