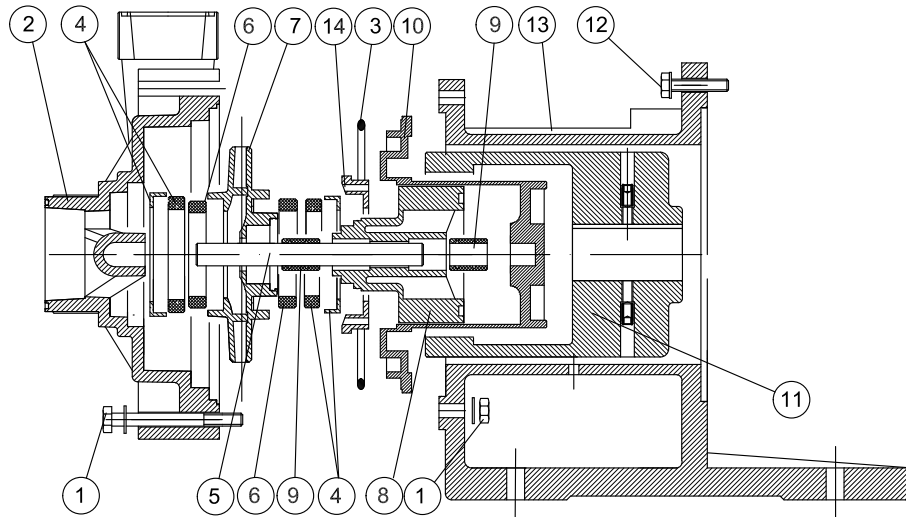


**FEATURES/CARATTERISTICHE**

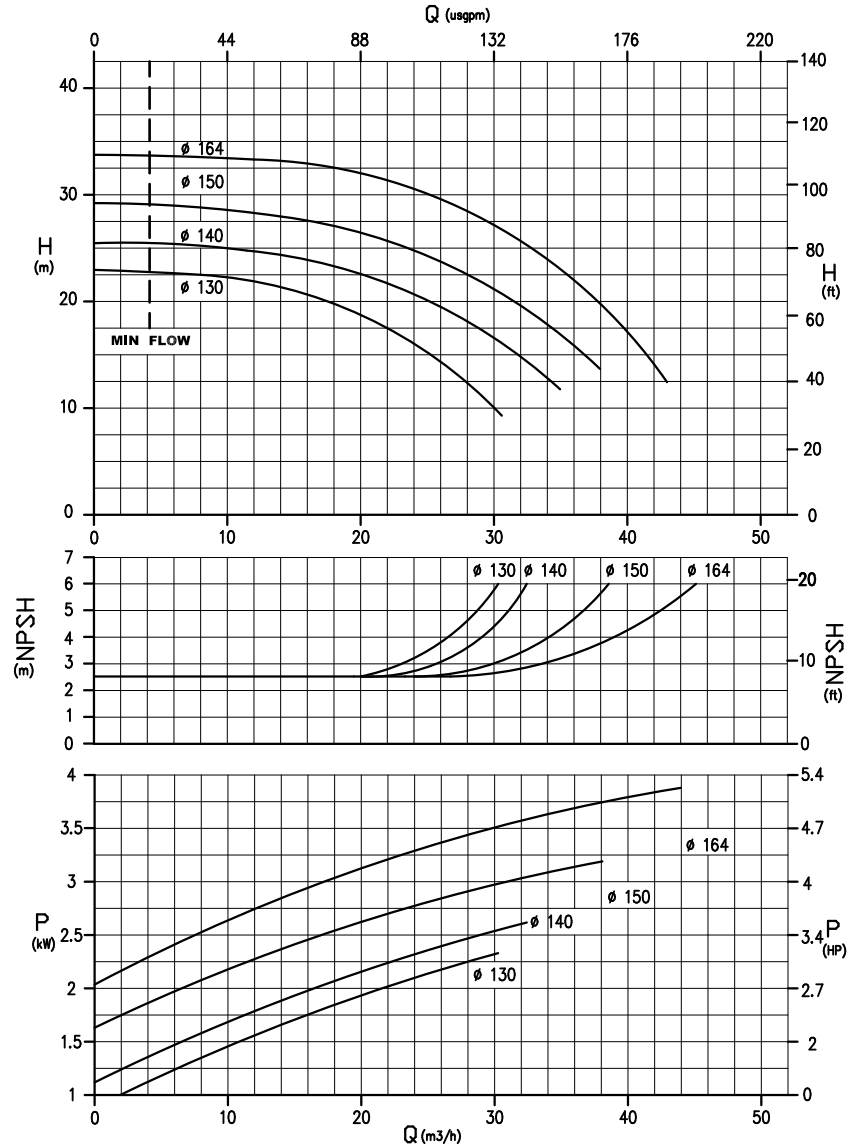
Materials available/Materiali disponibili:	PP-PVDF
Max flow/Portata massima:	43 m <sup>3</sup> /h
Max head/Prevalenza massima:	33 m
Max temperature/Temperatura massima:	PP 60°C/PVDF 90°C
Max viscosity/Viscosità massima:	200 cSt
Pressure rating/Pressione nominale massima:	NP/PN 4 @ 20°C
Pump weight/Peso pompa:	PP: 32.2 Kg PVDF: 35 Kg

**SECTION AND PARTS LIST/SEZIONE E LISTA PARTI**



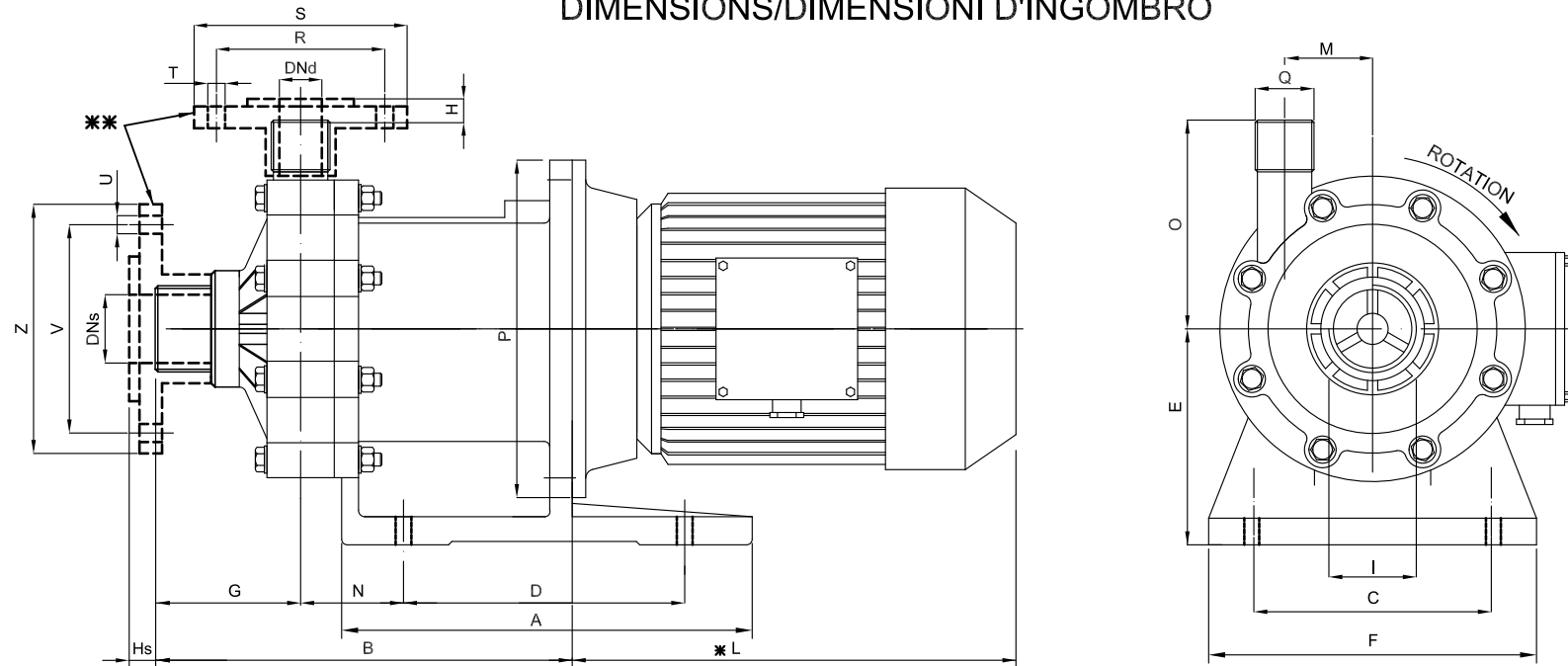
POS.	1	2	3	4	5	6	7	8	9	10	11	12	13	14
PART DESCR.	SET SCREWS	PUMP HEAD	O-RING	CASING THRUST BUSH	SHAFT+RING	IMPELLER THRUST BEARING	IMPELLER	INT. MAGNET	BEARING	REAR CASING	EXT. MAGNET	SET SCREWS	BRACKET	REAR SUPPORT
MATERIALS	AISI304	PP PVDF	EPDM VITON	AI203 EPDM VITON	AI203	PTFEC	PP PVDF	PP PVDF NeFeb	PTFEC	PP PVDF	C40 NeFeb	AISI304	ALLUMINIUM	PP PVDF

**CURVES/CURVE 50HZ-2900 RPM**



All data stated are an indication and are liable to change without notice / Tutti i dati sono indicativi e possono variare senza preavviso

DIMENSIONS/DIMENSIONI D'INGOMBRO



PUMP TYPE	MOTOR FLANGE B5	POT. Kw	DIMENSIONS - mm -													FLANGES DIN PN 10-DIMENSIONS - mm -											
			A	B	C	D	E	F	G	H	Hs	I	*L	M	N	O	P	Q	R	S	T	U	V	Z	DNs	DNd	
HTM 50	G 132S2A	5.5																									
HTM 50	G 132S2B	7.5	365	334	216	250	192	274	92	10	10	3" MALE	383	82.5	98	170	300	2 1/2" MALE	145	188	18	18	160	203	80	65	

\* Different according to the manufacturer / Diverso a seconda del fornitore  
 \*\* OPTIONAL-UPON REQUEST/SU RICHIESTA: Flanges/Flange