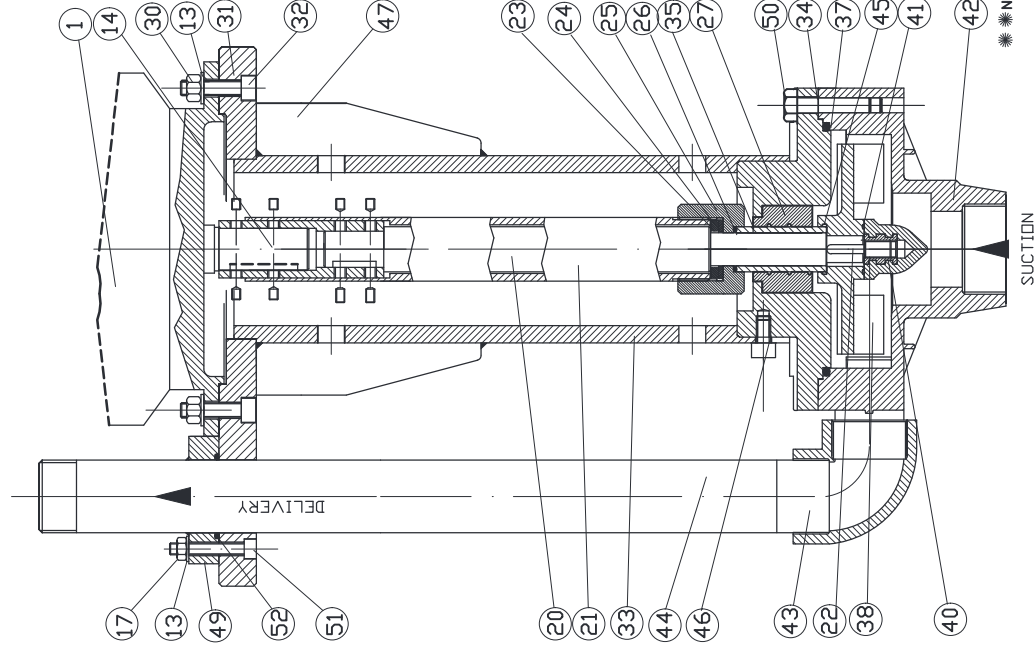


FEATURES/CARATTERISTICHE

Pump HV/Pompa HV:
Vertical centrifugal monobloc
Verticale centrifuga monoblocco

Materials available/Materiali disponibili: PP-PVDF
Max flow/Portata massima: 40 m³/h
Max head/Prevalenza massima: 22 m
Max temperature/Temperatura massima: PP 60°C/PVDF 90°C

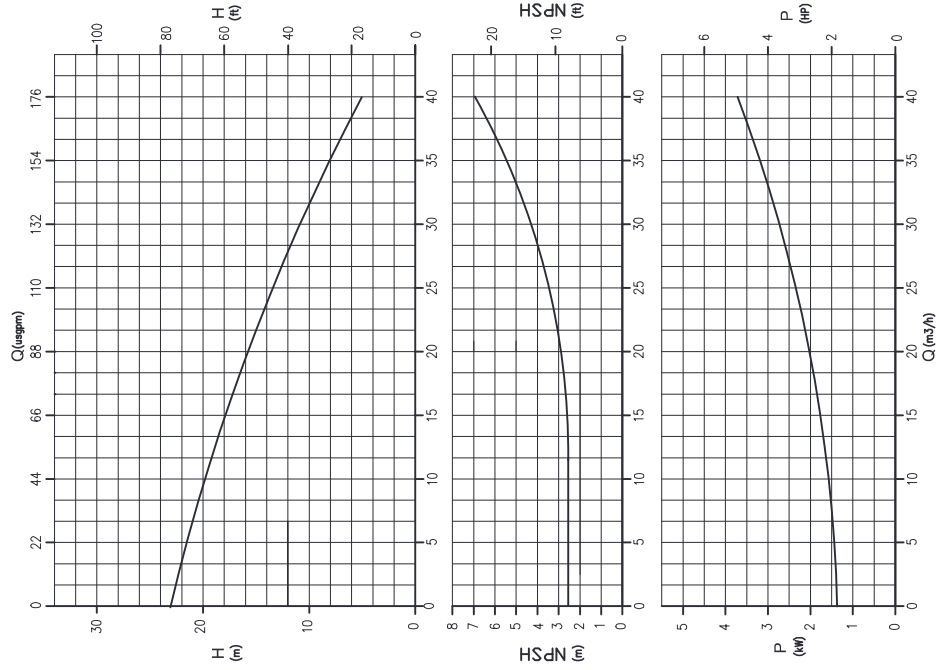
SECTION AND PARTS LIST/SEZIONE E LISTA PARTI



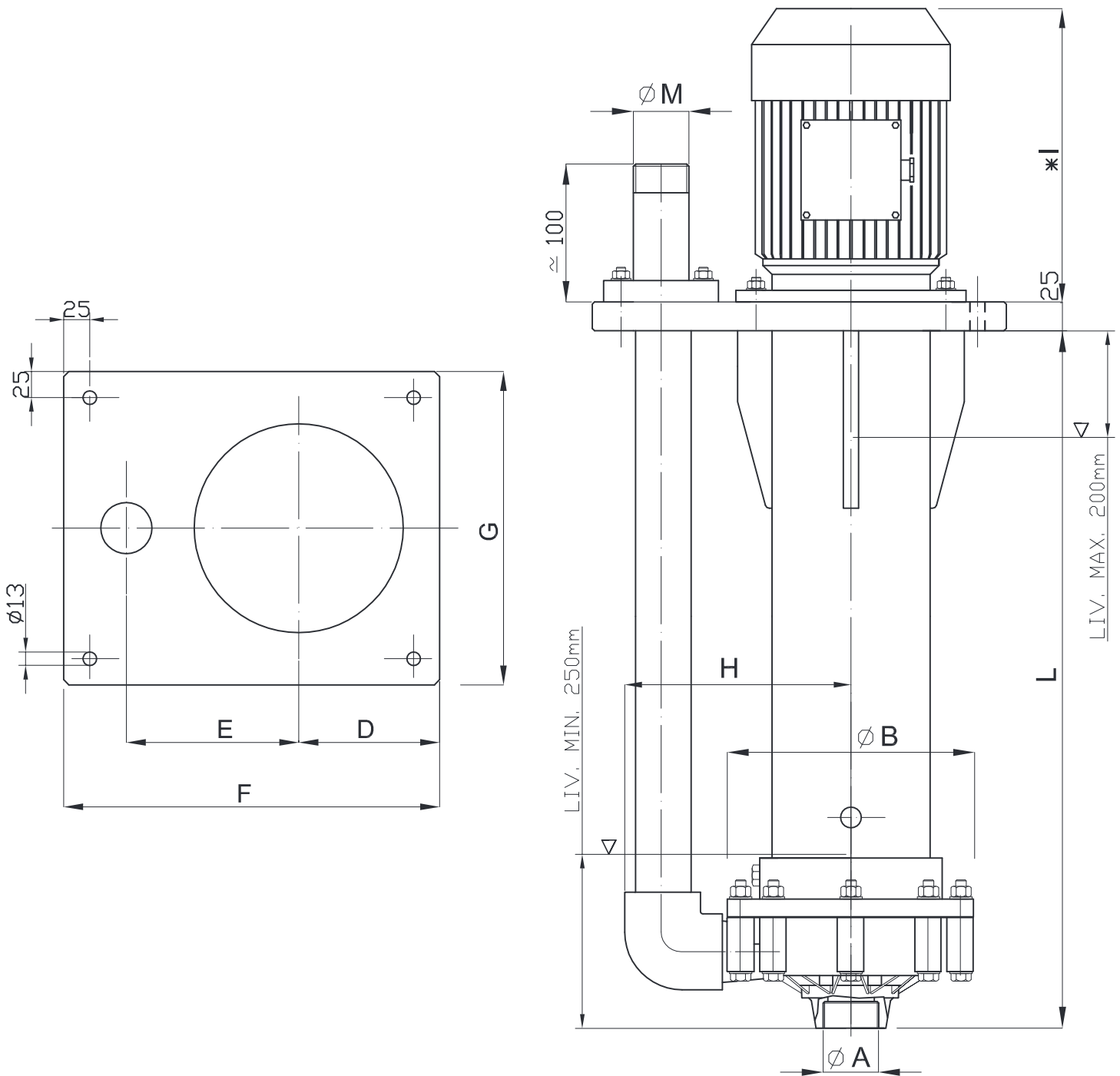
POS	DESCR.	MAT.
1	Motor	
13	Washer	AISI304
14	Motor-Pump Joint	AISI304-316
17	Nut	AISI304
20	Shaft	C40
21	Shaft covering	PP
22	Key	AISI304
23	Washer	AISI304
24	Washer	AISI304
25	Guide shaft cov.	PP
26	O-ring	EPDM/MITON
27	Bushing	PTFEC
30	Nut	AISI304
31	Plate	PP
32	Screw	AISI304
33	Column	PP
34	Cover	PP/PVDF
35	Wear bushing	AI203
37	O-ring	EPDM/MITON
38	Impeller	PP/PVDF
40	Nut	PP/PVDF
41	O-ring	EPDM/MITON
42	Pump head	PP/PVDF
43	Elbow	PP/PVDF
44	Flow pipe	PP/PVDF
45	O-ring	EPDM/MITON
46	Screw	PVDF
47	Reinforced wing	PP
49	Flange	PP
50	Screw	PVC
51	Screw	AISI304
52	O-ring	EPDM/MITON

※ NUT WITH SS INSERT COVERED WITH PP/PVDF

CURVES/CURVE 50HZ-2900 RPM



DIMENSIONS/DIMENSIONI D'INGOMBRO



PUMP TYPE	MOTOR FLANGE B5	POT. Kw	DIMENSIONS - mm -									L
			Ø A	Ø M	Ø B	D	E	F	G	H	*I	
HV 140	G 100 L	3	2" FEMALE	1"1/2" MALE	215	135	165	360	300	196	315	A RICHIESTA DA 500 A 1000mm ON REQUEST FROM 500 TO 1000mm

* Different according to the manufacturer / Diverso a seconda del fornitore